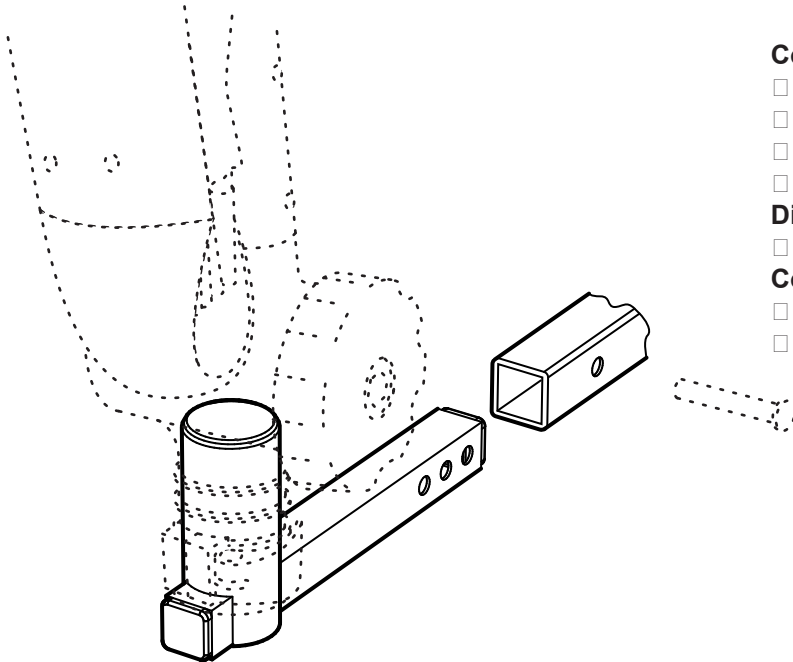


Mantis Scooter Mount

Part No. MBSM009



Common use for this mount:

- Scooters with rear 1" square tube accessory connection
- Power Chairs with rear 1" square tube accessory connection

Dimensions:

- 9.3" L x 4" H, 1" square tube

Contents:

- 1 Scooter Mount (powder-coated aluminum)

1 □ LOCATE MOUNTING SLOT ON SCOOTER

If your scooter does not have a mounting slot for accessories, check with your dealer. You will need one before Mantis can be installed.

2 □ INSTALL HITCH POST

Slide rectangular beam into mounting slot. (Leave enough clearance so that Mantis assembly will not interfere with seat back once it is installed.) Use pin(s) or tighten knob provided with your scooter's mounting slot to secure hitch in desired location.

3 □ INSTALL MANTIS

Now place the Mantis assembly onto the vertical post of the bracket, and lock in place with locking mechanism. *Refer to the manual supplied with Mantis for detailed instructions.*

