



Rod Holder Mount

Part No. MBRH0013

Common uses for this mount:

- Rod Holders with inside Dia. 1.5"-2.1"
- Rocket Launchers inside Dia. 1.5"- 2.1"

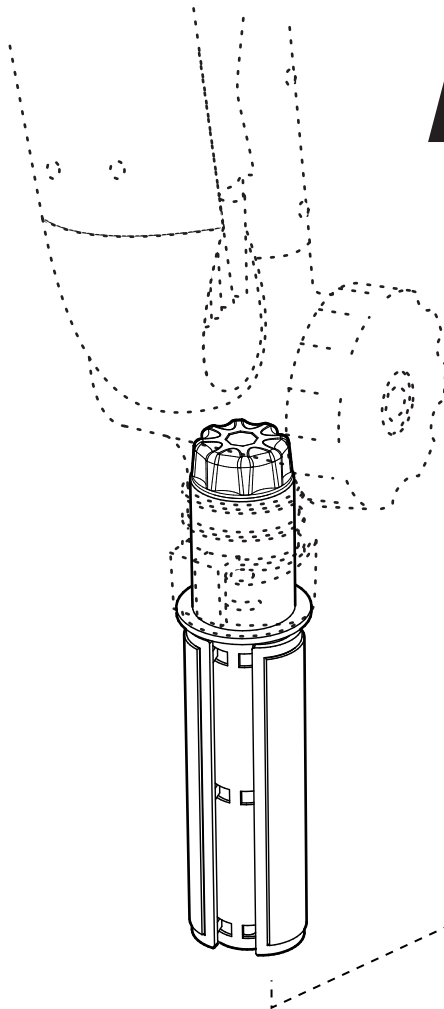
Note: Contact pro-techt for solution for rod holders/rocket launchers with > 1.95" diameter

Dimensions:

- Post 3" x 1.74", Inside 5.85" x 1.5"

Contents:

- Rod Holder Mount
- (Aluminum w/stainless screw)



1. SELECT A SUITABLE ROD HOLDER LOCATION

Choose an existing rod holder mount near your activity area. Insert the lower part of the mount into the rod holder either with or without the red mesh.

2. SECURE ROD HOLDER MOUNT

After placing the lower section of the mount into the rod holder hole, tighten knob clockwise until secure in the hole. To remove rod holder mount loosen knob counter clockwise until you can remove from the rod holder.

3. INSTALL MANTIS

Now place the Mantis assembly onto the vertical post of the mount, and lock in place. Refer to the manual supplied with Mantis for detailed instructions.

Note: Your Rod Holder mount may look different than the one pictured, but the instructions for use are correct.

