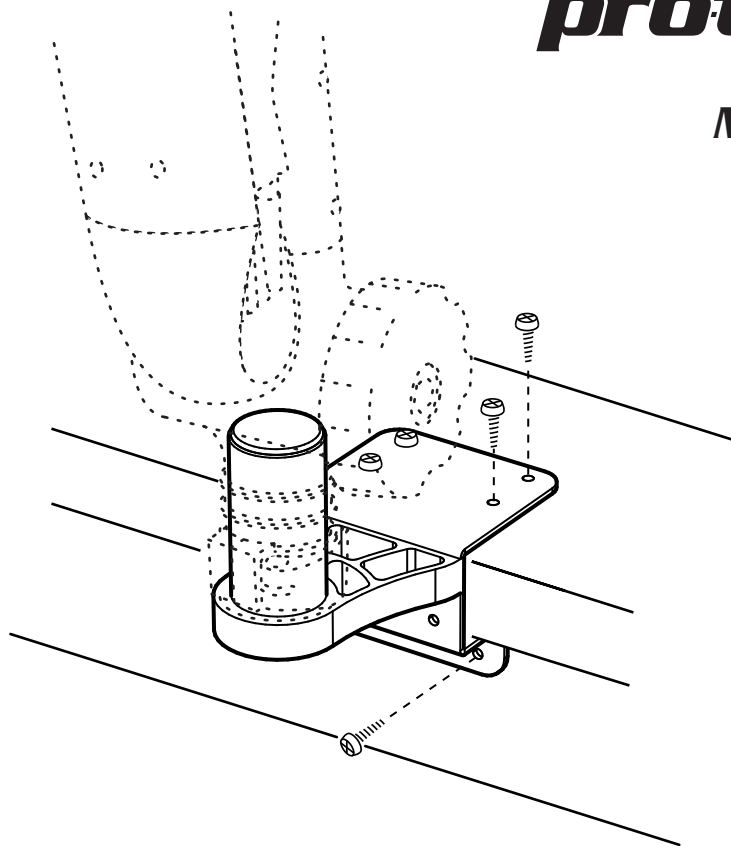




Mantis Bench Mount

Part No. MBBJ008



Common uses for this mount:

- Jon boat seats
- Semi V boat seats
- Other bench type seats
- Deck rails with lip

Dimensions:

- 6.8" L x 4" W x 6.3" H

Contents:

- 1 Bench Mount
- (powder-coated aluminum)
- 6 #10 x 1" Stainless Screws

1 SELECT LOCATION and MARK AND DRILL HOLES

Using the mounting bracket as a template, pencil each of the 6 hole locations onto the mounting substrate. With a 1/8-inch diameter bit, drill holes in the marked positions.

2 INSTALL BRACKET

With a Phillips screwdriver, install the mounting bracket, using the 6 supplied screws. Be sure all screws are securely tightened.

3 INSTALL MANTIS

Now place the Mantis assembly onto the vertical post of the bracket, and lock in place. *Refer to the manual supplied with Mantis for detailed instructions.*

