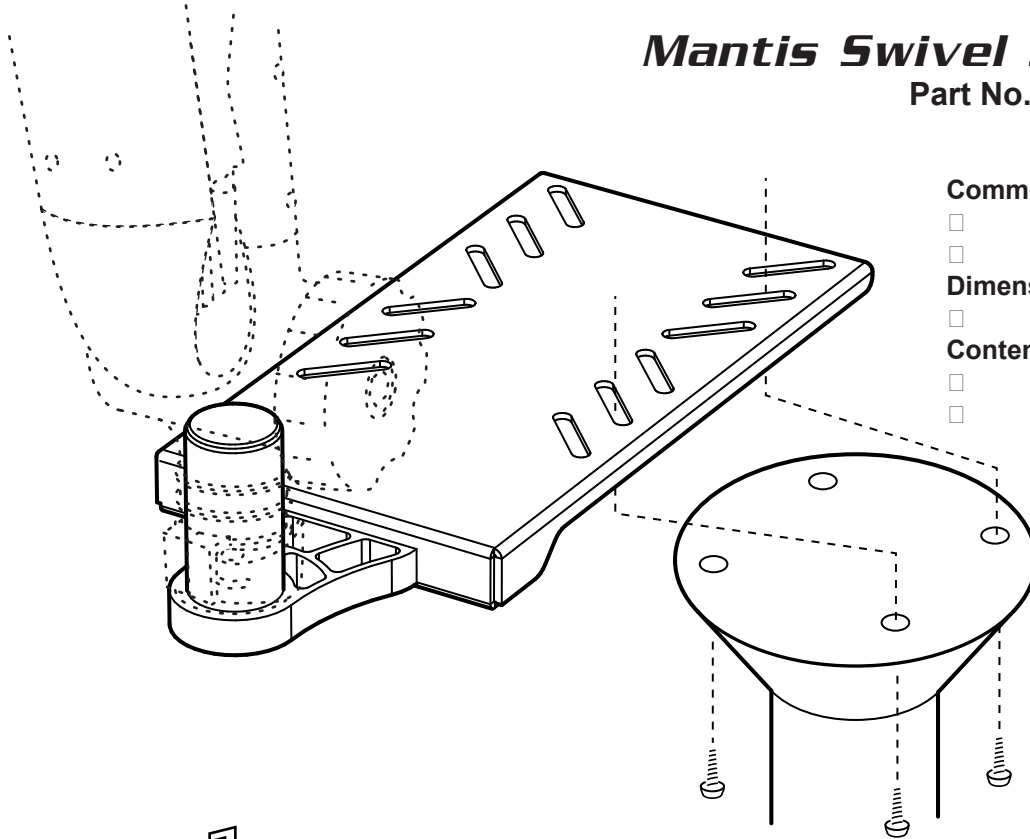


Mantis Swivel Seat Mount

Part No. MBSS001



Common uses for this mount:

- Standard 4 screw swivel
- boat seats

Dimensions:

- 17.8" L x 7.5" W

Contents:

- 1 Swivel Seat Mount
- (powder-coated aluminum)

1. REMOVE SWIVEL SEAT FROM PEDESTAL

To remove seat, unscrew the 4 screws from beneath the seat pedestal.

2. ALIGN SEAT MOUNT WITH PEDESTAL

The series of slotted holes are designed to retrofit existing seat pedestals, while providing fore and aft adjustment. Position the mount over the seat pedestal with all screw holes in view. Select slot positions by test-fitting the swivel seat to ensure that the vertical post clears the seat back.

3. REINSTALL SWIVEL SEAT

With the mounting plate now sandwiched between the pedestal and the seat in the desired position, replace the 4 screws and tighten securely. You can now place the Mantis assembly onto the vertical post of the bracket, and lock in place. *Refer to the manual supplied with Mantis for detailed instructions.*

